

PLATE BH

ALTERNATOR INSTALLATION

Plate No.	Part No.	Description	No. per Unit	Remarks
ALTERNATOR DETAILS				
(Fitted to special order only)				
	211962	†ALTERNATOR, 11 AC — POSITIVE EARTH	1	
	213121	†ALTERNATOR, 11 AC — NEGATIVE EARTH	1	
BH1	516043	BRACKET, frame, driving end	1	
BH2	516044	WASHER, retaining 'O' ring	1	
BH3	515593	'O' RING, oil seal	1	
BH4	509307	BEARING	1	
BH5	515591	PLATE, bearing retaining	1	
BH6	515592	CIRCLIP	1	
BH7	516045	ROTOR	1	
BH8	516056	STATOR	1	
	516050	HEATSINK with anode base diodes — Positive earth	1	
	516049	HEATSINK with cathode base diodes — Positive earth	1	
BH9	516060	HEATSINK with anode base diodes — Negative earth	1	
BH10	516059	HEATSINK with cathode base diodes — Negative earth	1	
BH11	516046	BRACKET, rear or slip ring end	1	
BH12	516047	BEARING, needle roller	1	
BH13	516048	SEAL, bearing	1	
BH14	516054	SCREW, heatsink fixing	1	
BH15	516055	WASHER, insulating	2	
BH16	516052	BRUSH BOX	1	
BH17	516051	BRUSH complete with spring and lucar blade	2	
BH18	516053	CONNECTOR, lucar, cut-out	1	
BH19	516057	SUNDRY PARTS SET	1	
BH20	516042	BOLT, through frame	3	
BH21	509309	NUT, shaft	1	
BH22	509310	WASHER, shaft	1	
BH23	143775	FAN	1	
BH24	147530	PULLEY, alternator	1	

Note:—Items marked thus † are available on our Factory Exchange Unit Scheme

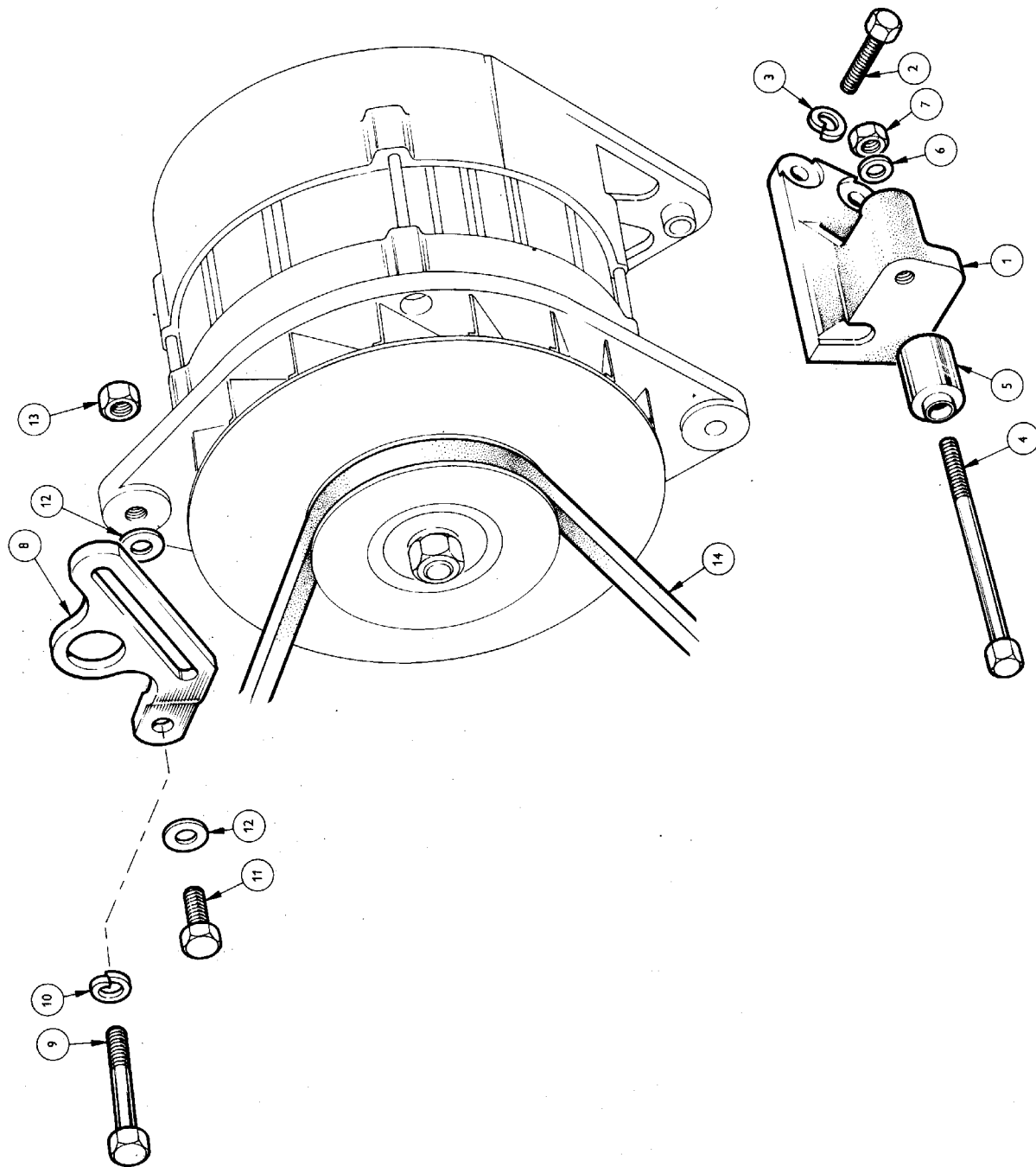


PLATE BJ

ALTERNATOR INSTALLATION

Plate No.	Part No.	Description	No. per Unit	Remarks
ALTERNATOR ATTACHMENT DETAILS				
BJ1	147899	BRACKET, alternator mounting	1	
BJ2	HU0808	SCREW, set, alternator bracket to cylinder block	2	
BJ3	WL0208	WASHER, lock, alternator bracket to cylinder block	2	
BJ4	HB0839	BOLT, alternator to mounting bracket	1	
BJ5	147483	SPACER, alternator to mounting bracket	1	
BJ6	WP0008	WASHER, plain, alternator to mounting bracket	1	
BJ7	143802	NUT, self locking, alternator to mounting bracket	1	
BJ8	142134	LINK, alternator adjusting	1	
BJ9	HB0819	BOLT, alternator adjusting link to cylinder head	1	
BJ10	WL0208	WASHER, lock, alternator adjusting link to cylinder head	1	
BJ11	HU0858	SCREW, set, alternator adjusting link to alternator	1	
BJ12	WP0007	WASHER, plain, alternator adjusting link to alternator	1	
BJ13	JN2158	NUT, jam, alternator adjusting link to alternator	1	
BJ14	212135	BELT, fan	1	

Note:—Items marked thus † are available on our Factory Exchange Unit Scheme

ALTERNATOR INSTALLATION

Plate No.	Part No.	Description	No. per Unit	Remarks
ALTERNATOR INSTRUMENTS				
BK1	617870	PLATE, mounting, control unit	1	
BK2	HU0707	SCREW, set, control unit mounting plate to dash side front panel	3	
BK3	WP0144	WASHER, plain, control unit mounting plate to dash side front panel	6	
BK4	WL0209	WASHER, lock, control unit mounting plate to dash side front panel	3	
BK5	HN2007	NUT, hex. control unit mounting plate to dash side front panel	3	
CONTROL UNIT (4TR)				
BK6	137795	CONTROL UNIT (4TR)	1	
BK7	PT0504	SCREW, set, control unit to mounting plate	2	
BK8	WP0005	WASHER, plain, control unit to mounting plate	2	
BK9	WL0205	WASHER, lock, control unit to mounting plate	2	
BK10	HN2005	NUT, hex. control unit to mounting plate	2	
BK11	137797	WARNING LIGHT for control unit	1	
BK12	PT0703	SCREW, set, warning light to control unit mounting plate	1	
BK13	WP0007	WASHER, plain, warning light to control unit mounting plate	1	
BK14	WL0207	WASHER, lock, warning light to control unit mounting plate	1	
BK15	HN2007	NUT, hex. warning light to control unit mounting plate	1	
IGNITION RELAY UNIT				
BK16	142169	IGNITION RELAY UNIT	1	
BK17	PT0503	SCREW, set, ignition relay to mounting plate	2	
BK18	WP0005	WASHER, plain, ignition relay to mounting plate	2	
BK19	WL0205	WASHER, lock, ignition relay to mounting plate	2	
BK20	HN2005	NUT, ignition relay to mounting plate	2	
AMMETER				
	140567	AMMETER	1	
	142621	BRACKET, ammeter mounting	1	
	YA0503	SCREW, self tapping, bracket to steering column support clamp	2	
	307274	MAIN HARNESS — R.H.S.	1	
	307652	MAIN HARNESS — L.H.S.	1	

Note:—Items marked thus † are available on our Factory Exchange Unit Scheme